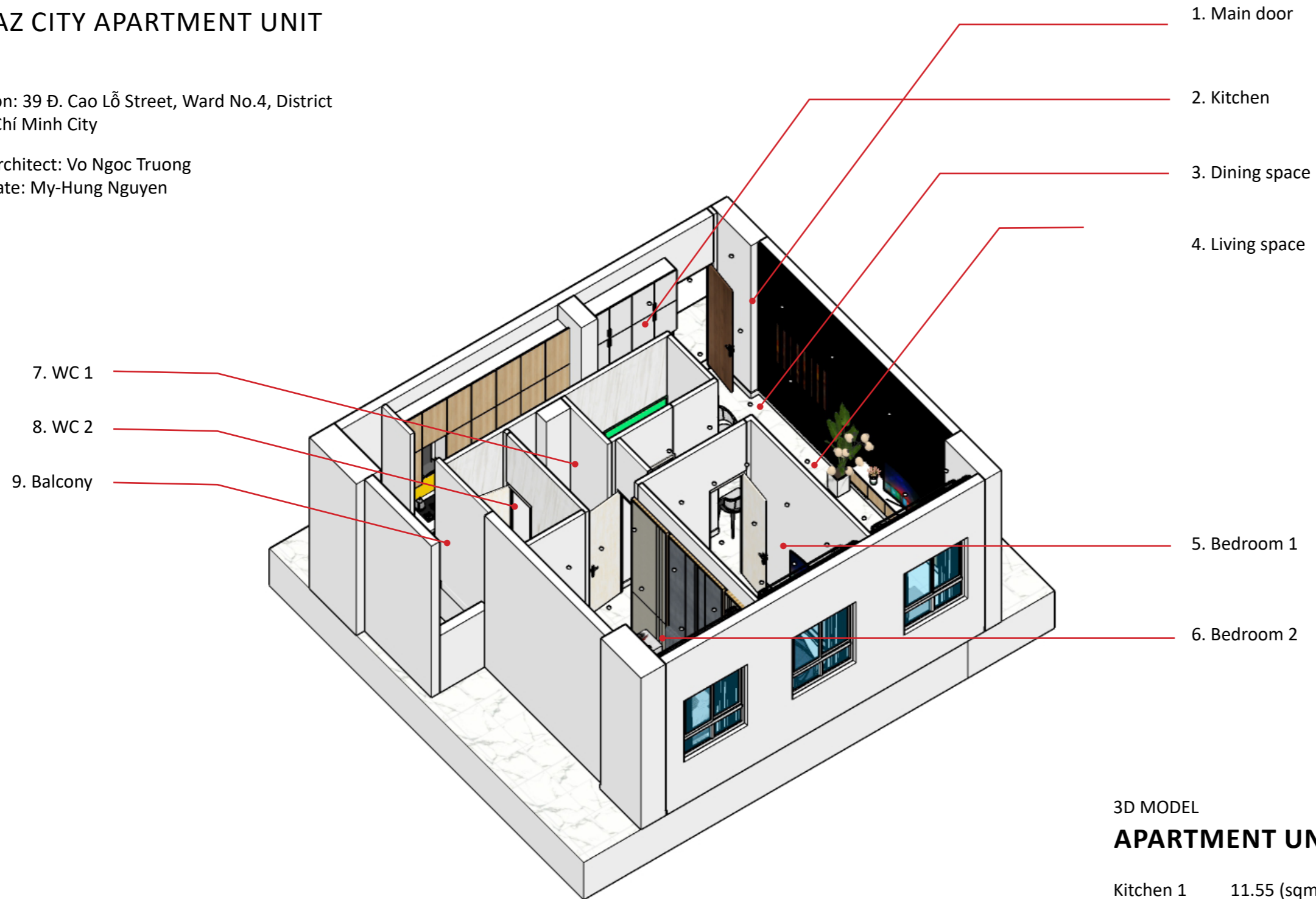


INTERIOR DESIGN

TOPAZ CITY APARTMENT UNIT

Location: 39 Đ. Cao Lỗ Street, Ward No.4, District 8, Hồ Chí Minh City

Lead architect: Vo Ngoc Truong
Associate: My-Hung Nguyen



3D MODEL

APARTMENT UNIT

Kitchen 1	11.55 (sqm)
WC 1	4.53
Bedroom 2	8.94
Living room	16.69
Kitchen	9.94
Balcony	3.38

Total: 55.03 sqm

FLOW OF CONTENTS

1. 3D model | Brief | functional space arrangement
2. Furniture arrangement plan
3. Furniture arrangement plan/ dimension
4. Ceiling Plan
5. Ceiling Plan/ dimensions
6. Ceiling Plan/ detail
7. Floor Plan
8. Floor Plan/ dimensions
9. Lighting plan
10. Lighting plan/ dimension
11. Electrical Plan
12. Electrical Plan/ dimensions
13. Power socket Plan
14. Power socket Plan/ dimensions
15. Main Section 1
16. Main Section 2
17. Details on wall design, tv unit
18. Perspective Elevation 1 & 2
19. Space/ Kitchen
20. Space/ WC
21. Space/ Bedroom
22. Perspective visualizations

- 1 Page mark
- Work delivered from design-team/ edited by me
- My main works:
 - Blueprints preparation (plans, sections, elevations, details)
 - 3D visualization refinements

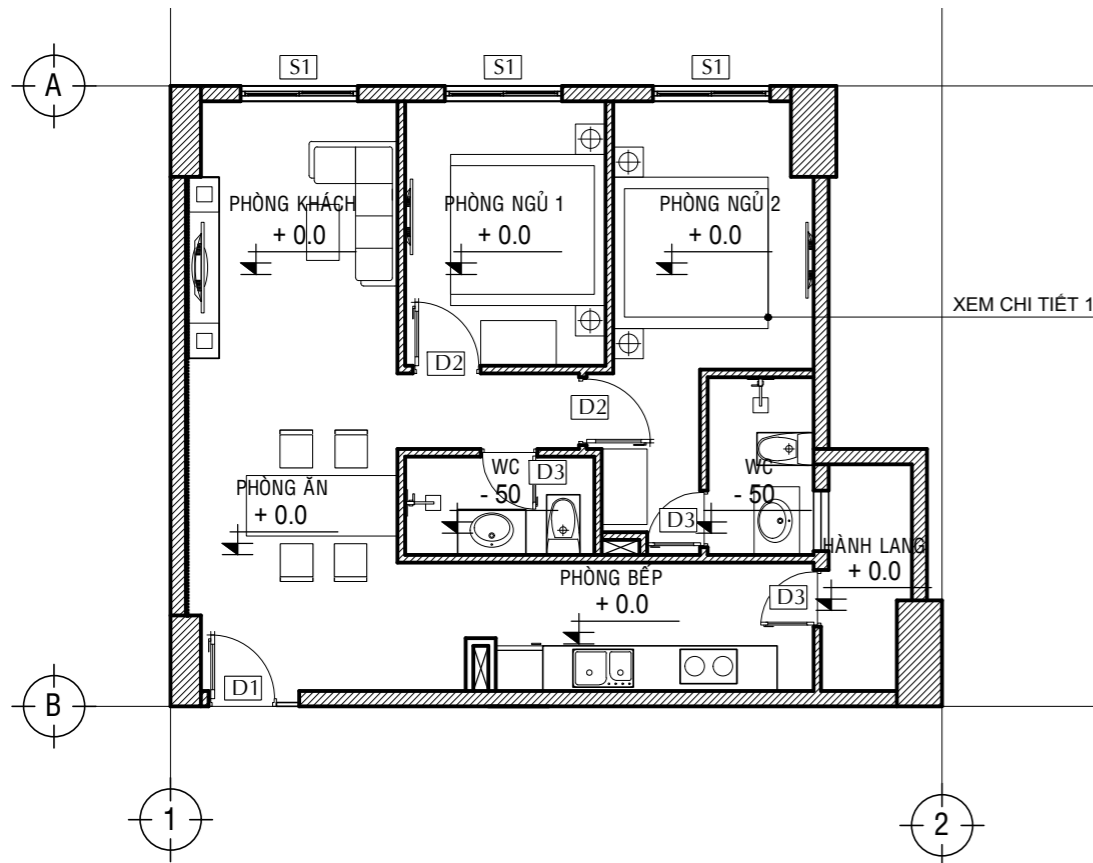
FLOW OF CONTENTS

1. 3D model | Brief | functional space arrangement
2. Furniture arrangement plan
3. Furniture arrangement plan/ dimension
4. Ceiling Plan
5. Ceiling Plan/ dimensions
6. Ceiling Plan/ detail
7. Floor Plan
8. Floor Plan/ dimensions
9. Lighting plan
10. Lighting plan/ dimension
11. Electrical Plan
12. Electrical Plan/ dimensions
13. Power socket Plan
14. Power socket Plan/ dimensions
15. Main Section 1
16. Main Section 2
17. Details on wall design, tv unit
18. Perspective Elevation 1 & 2
19. Space/ Kitchen
20. Space/ WC
21. Space/ Bedroom
22. Perspective visualizations

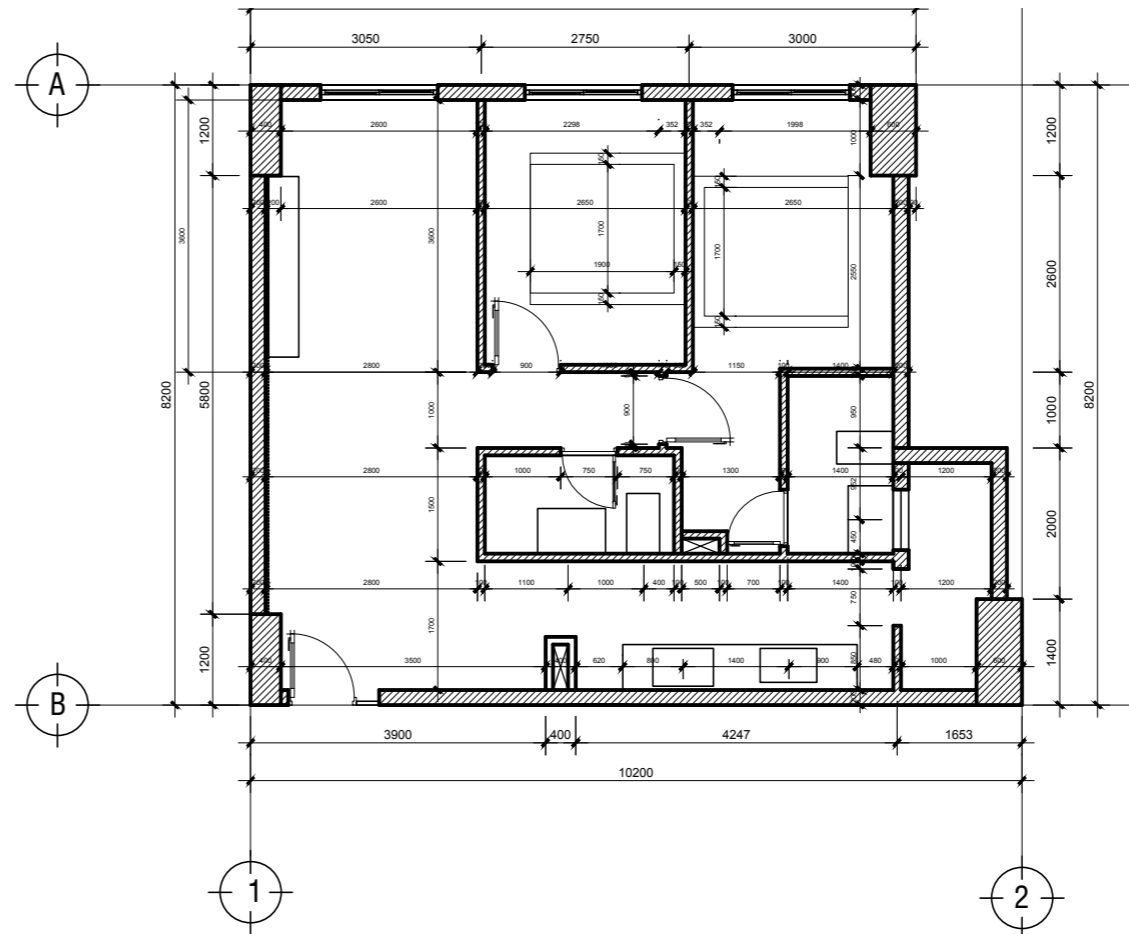
○ Page mark

■ Work delivered from design-team/ edited by me

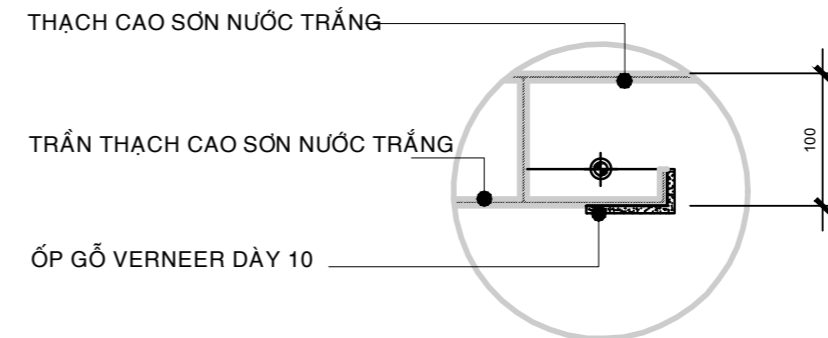
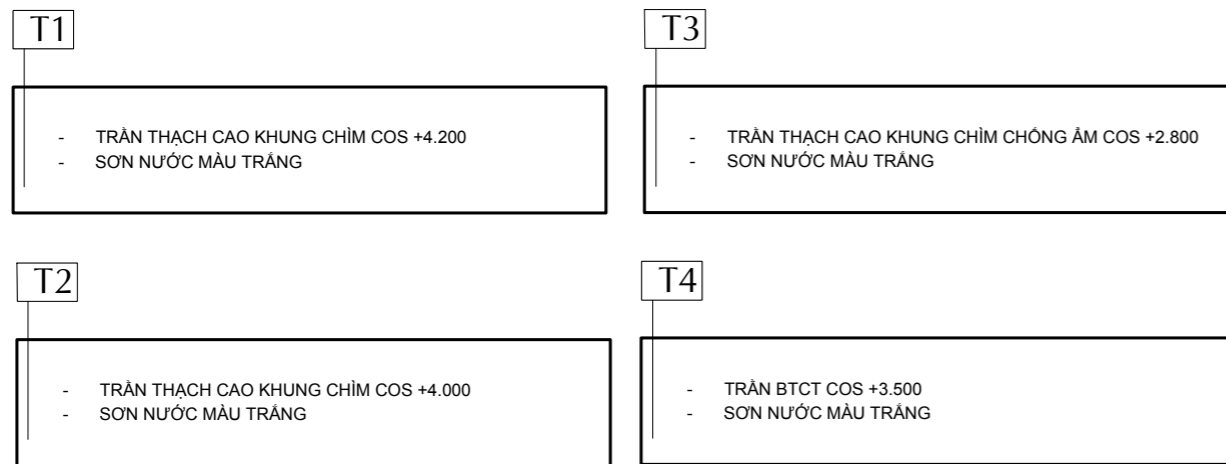
■ My main works:
 - Blueprints preparation (plans, sections, elevations, details)
 - 3D visualization refinements



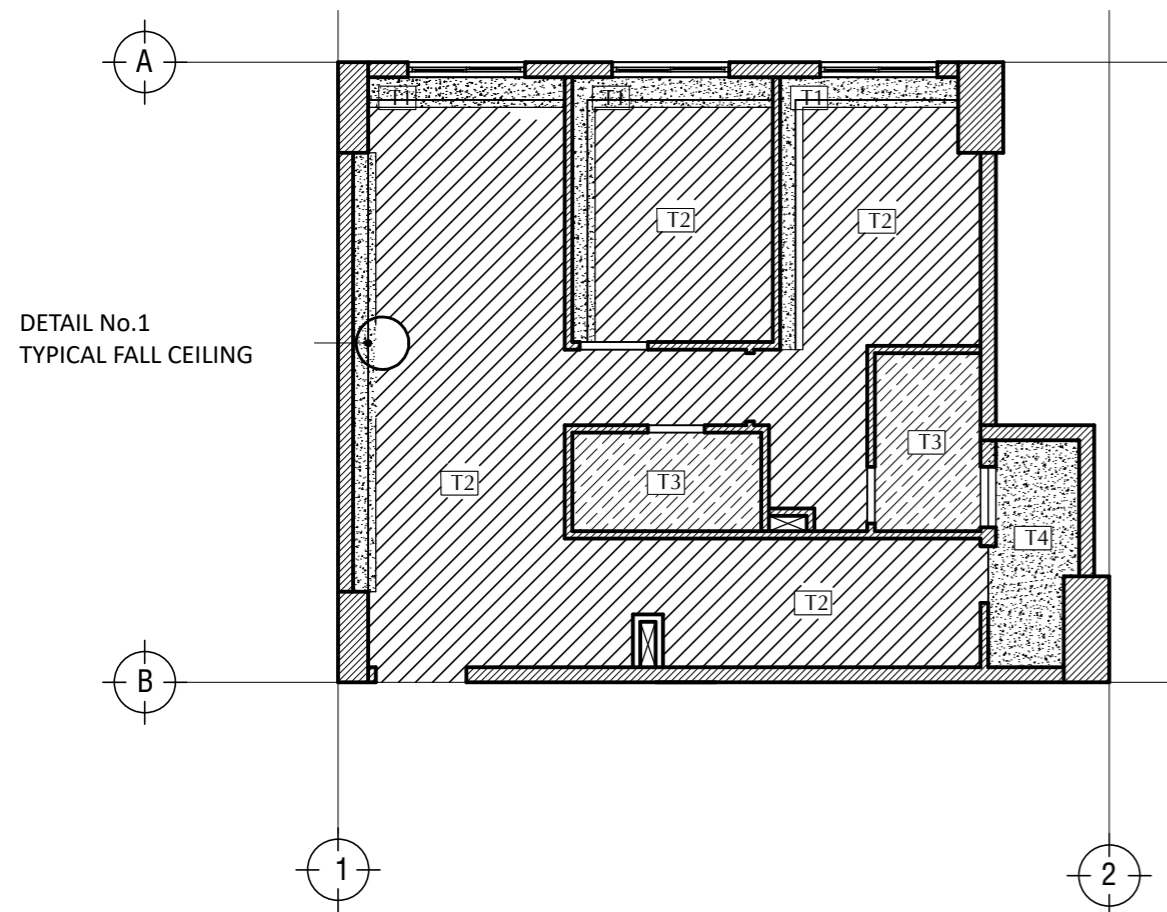
PLAN SCALE 1/100
FURNITURE ARRANGEMENTS



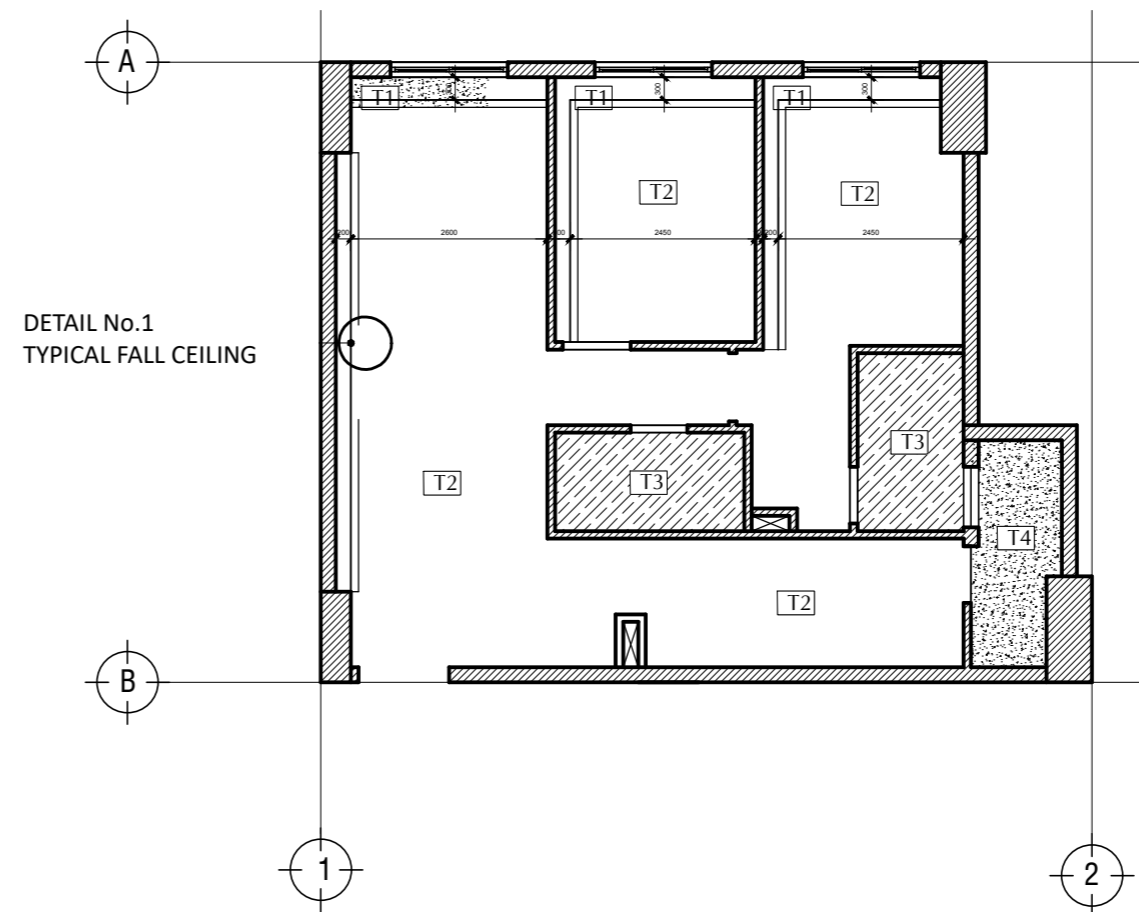
PLAN SCALE 1/100
FURNITURE ARRANGEMENTS/ DIMENSIONS



DETAIL NO.1
FALL CEILING



PLAN SCALE 1/100
CEILING



PLAN SCALE 1/100
CEILING DIMENSIONS

FLOW OF CONTENTS

1. 3D model | Brief | functional space arrangement
2. Furniture arrangement plan
3. Furniture arrangement plan/ dimension
4. Ceiling Plan
5. Ceiling Plan/ dimensions
6. Ceiling Plan/ detail
7. Floor Plan
8. Floor Plan/ dimensions
9. Lighting plan
10. Lighting plan/ dimension
11. Electrical Plan
12. Electrical Plan/ dimensions
13. Power socket Plan
14. Power socket Plan/ dimensions
15. Main Section 1
16. Main Section 2
17. Details on wall design, tv unit
18. Perspective Elevation 1 & 2
19. Space/ Kitchen
20. Space/ WC
21. Space/ Bedroom
22. Perspective visualizations

- Page mark
- Work delivered from design-team/ edited by me
- My main works:
 - Blueprints preparation (plans, sections, elevations, details)
 - 3D visualization refinements

N1

- LÁT GẠCH CERAMIC KT 800X800 MÀU GIA CHỦ LỰA CHỌN
- LỚP VỮA LÁT NÉN DÀY 30/5
- LỚP BÊ TÔNG ĐÁ (10X20), DÀY 100
- LỚP ĐÁT ĐẬP NÉN ĐẪM CHẶT
- LỚP ĐÁT TỰ NHIÊN DỌN SẠCH

N2

- LÁT GẠCH GRANITE KT 300X300 MÀU GIA CHỦ LỰA CHỌN
- LỚP VỮA LÁT NÉN DÀY 30/5, TẠO ĐỐC I=2% VỀ LỖ THU NƯỚC
- LỚP BÊ TÔNG ĐÁ (10X20), DÀY 100
- LỚP ĐÁT ĐẬP NÉN ĐẪM CHẶT
- LỚP ĐÁT TỰ NHIÊN DỌN SẠCH

N3

- LÁT GẠCH GRANITE KT 300X300 MÀU GIA CHỦ LỰA CHỌN
- LỚP VỮA LÁT NÉN DÀY 30/5, TẠO ĐỐC I=2% VỀ LỖ THU NƯỚC
- LỚP BÊ TÔNG ĐÁ (10X20), DÀY 100
- LỚP ĐÁT ĐẬP NÉN ĐẪM CHẶT
- LỚP ĐÁT TỰ NHIÊN DỌN SẠCH



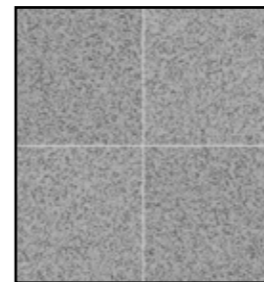
[[N1] CERAMIC TILE 800X800

/MAIN FLOOR



[[N2] GRANITE 300X300

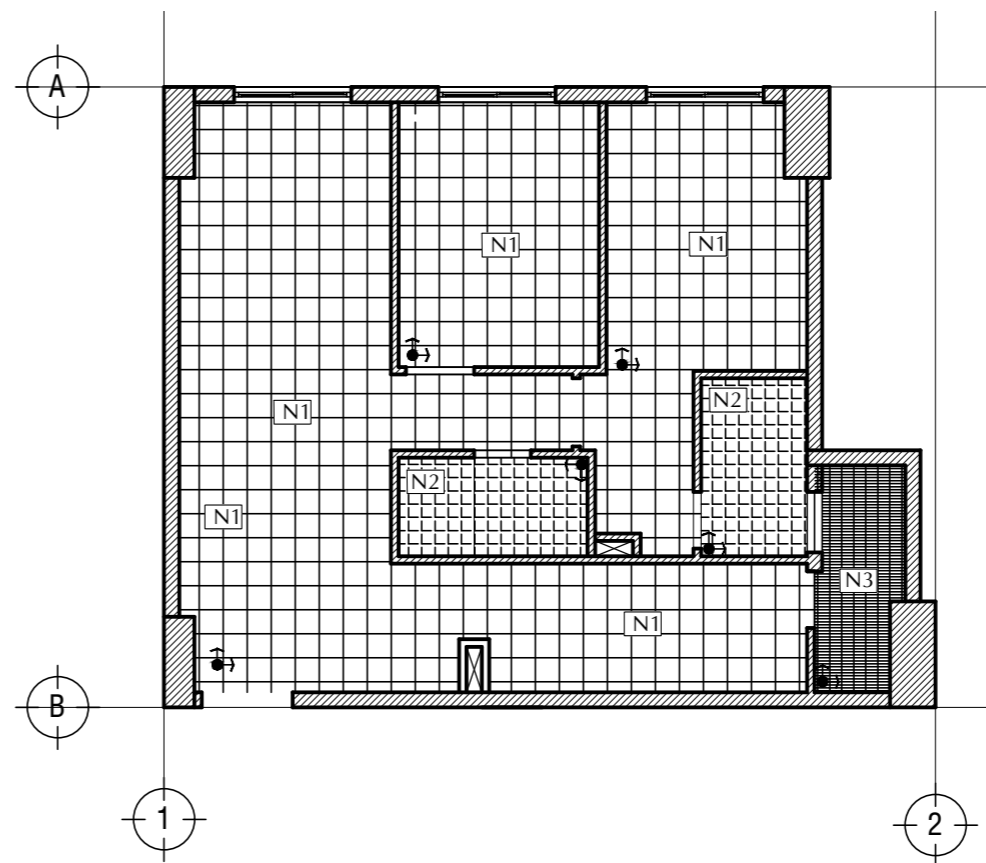
/BATHROOM



[N3] GRANITE 300X300

/BALCONY

FLOOR TILE SAMPLES



PLAN
FLOOR PLAN

FLOW OF CONTENTS

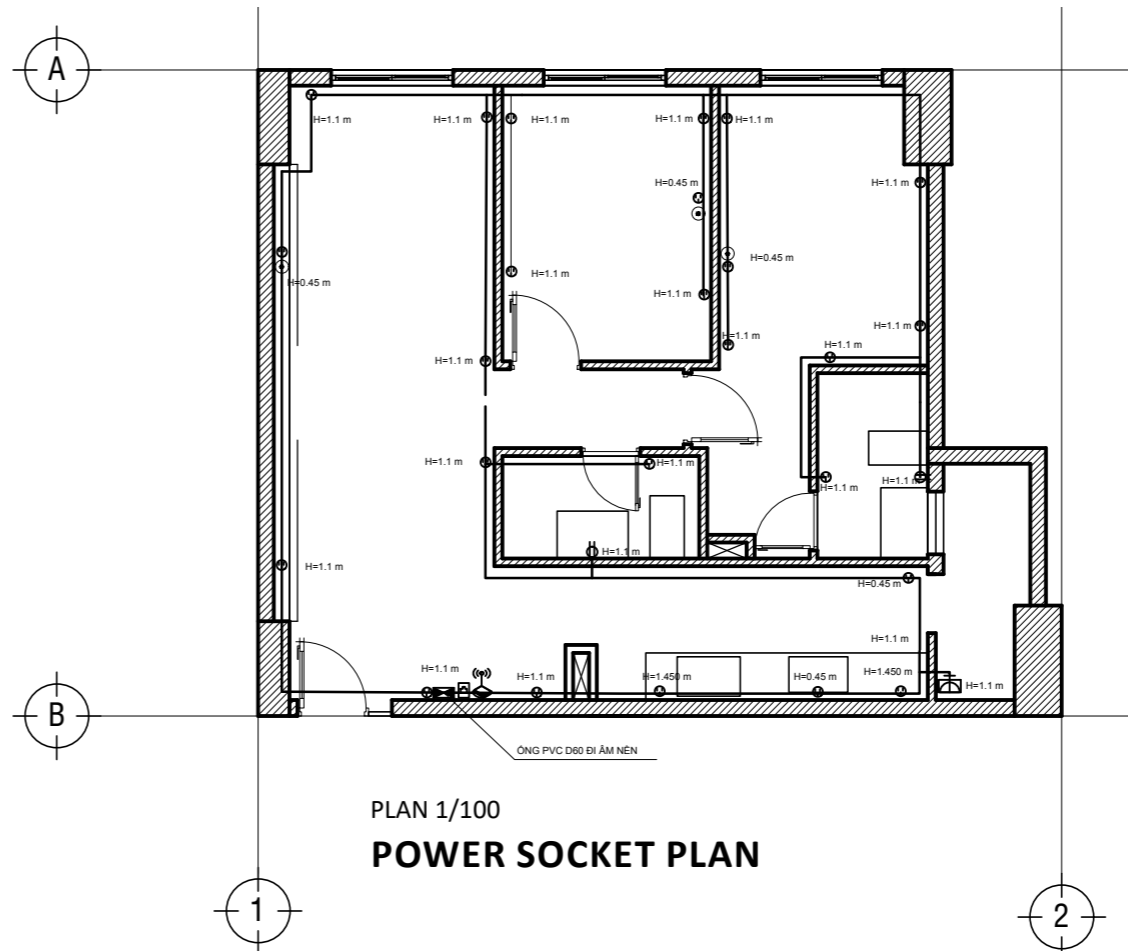
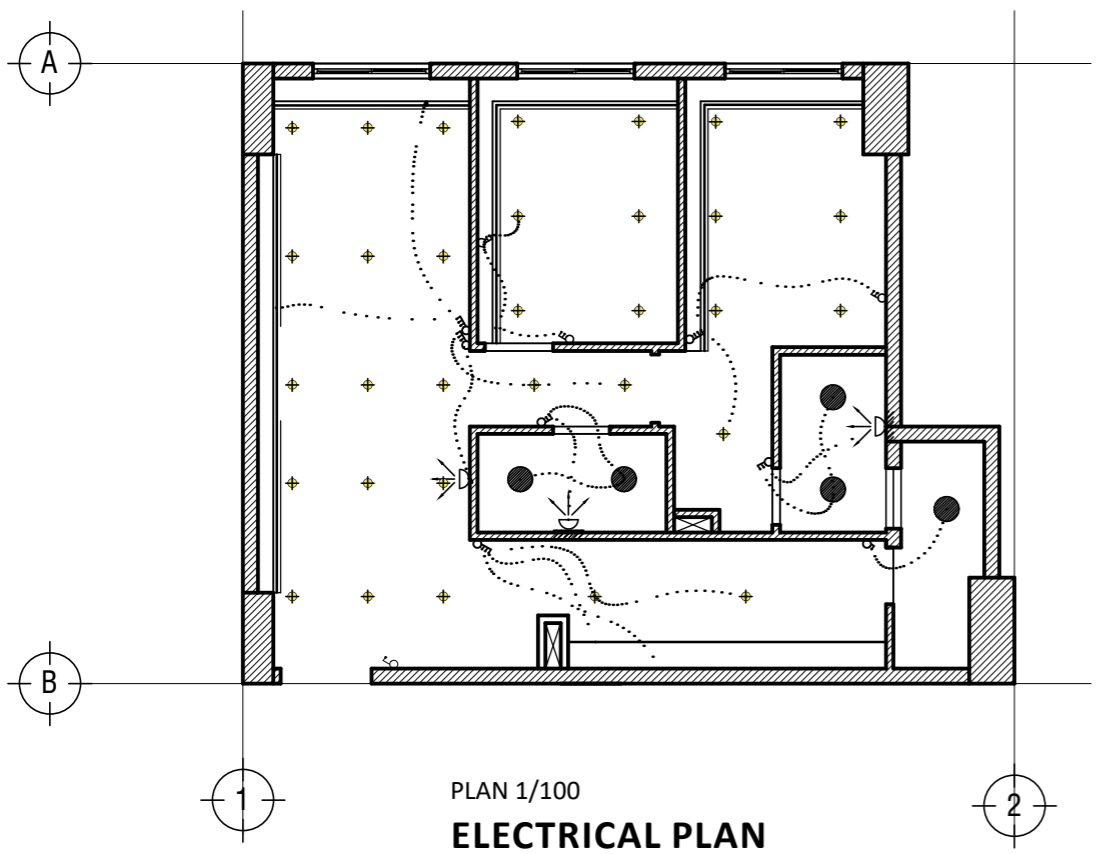
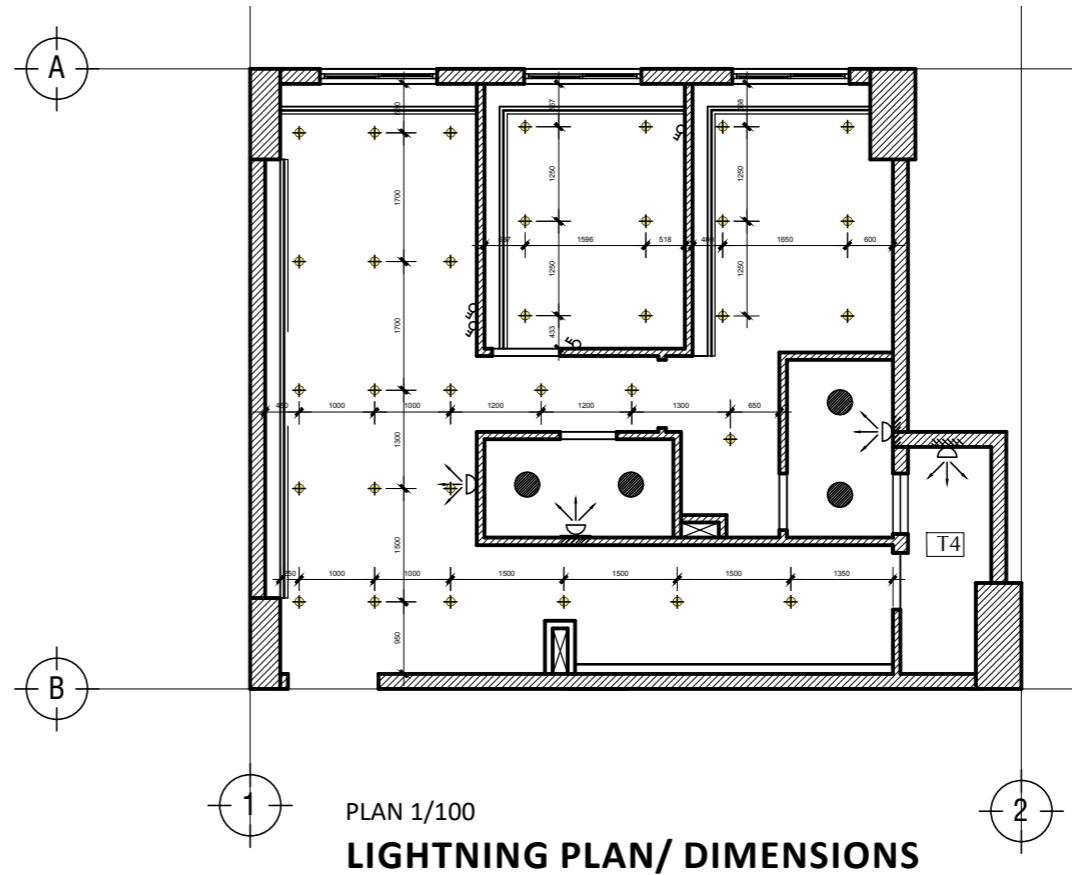
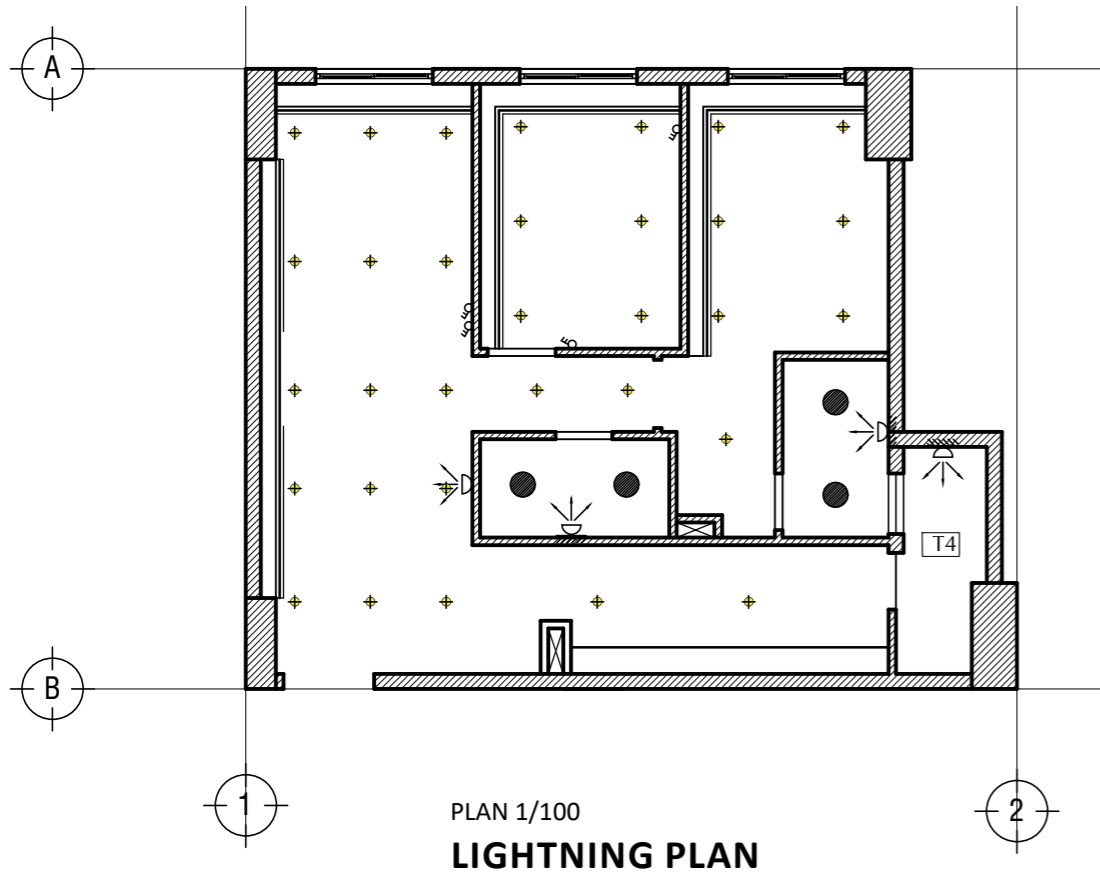
1. 3D model | Brief | functional space arrangement
2. Furniture arrangement plan
3. Furniture arrangement plan/ dimension
4. Ceiling Plan
5. Ceiling Plan/ dimensions
6. Ceiling Plan/ detail
7. Floor Plan
8. Floor Plan/ dimensions
9. Lighting plan
10. Lighting plan/ dimension
11. Electrical Plan
12. Electrical Plan/ dimensions
13. Power socket Plan
14. Power socket Plan/ dimensions
15. Main Section 1
16. Main Section 2
17. Details on wall design, tv unit
18. Perspective Elevation 1 & 2
19. Space/ Kitchen
20. Space/ WC
21. Space/ Bedroom
22. Perspective visualizations

○ Page mark

■ Work delivered from design-team/ edited by me

■ My main works:

- Blueprints preparation (plans, sections, elevations, details)
- 3D visualization refinements



FLOW OF CONTENTS

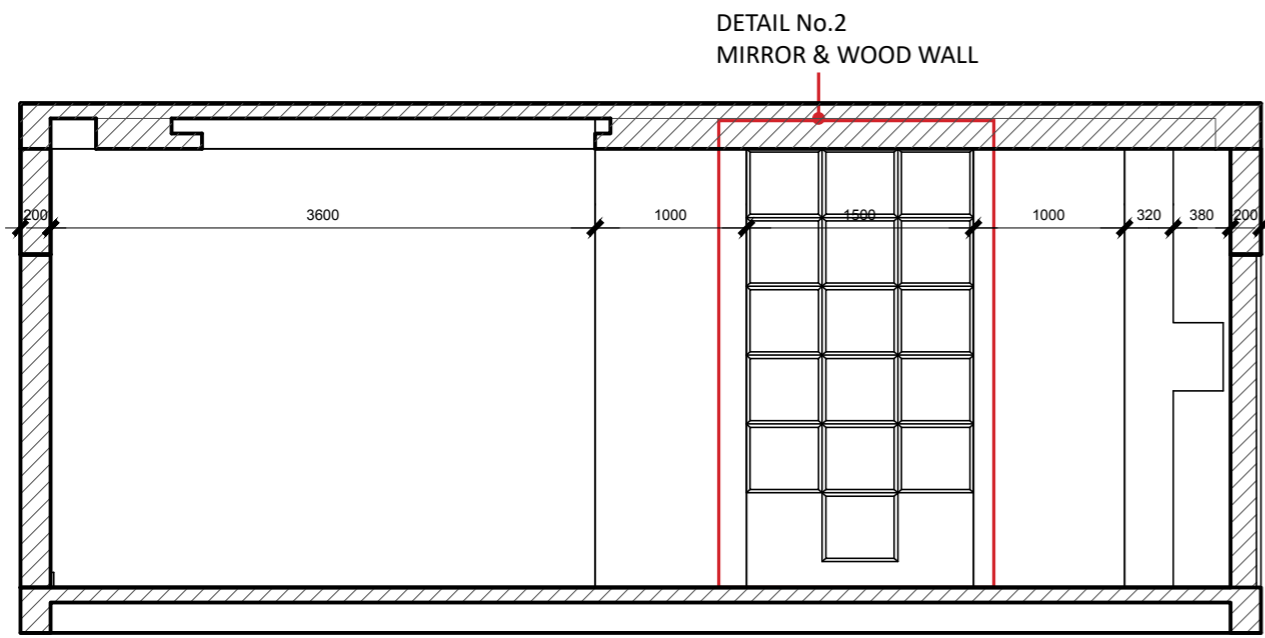
1. 3D model | Brief | functional space arrangement
2. Furniture arrangement plan
3. Furniture arrangement plan/ dimension
4. Ceiling Plan
5. Ceiling Plan/ dimensions
6. Ceiling Plan/ detail
7. Floor Plan
8. Floor Plan/ dimensions
9. Lighting plan
10. Lighting plan/ dimension
11. Electrical Plan
12. Electrical Plan/ dimensions
13. Power socket Plan
14. Power socket Plan/ dimensions
15. Main Section 1
16. Main Section 2
17. Details on wall design, tv unit
18. Perspective Elevation 1 & 2
19. Space/ Kitchen
20. Space/ WC
21. Space/ Bedroom
22. Perspective visualizations

9 Page mark

Work delivered from design-team/ edited by me

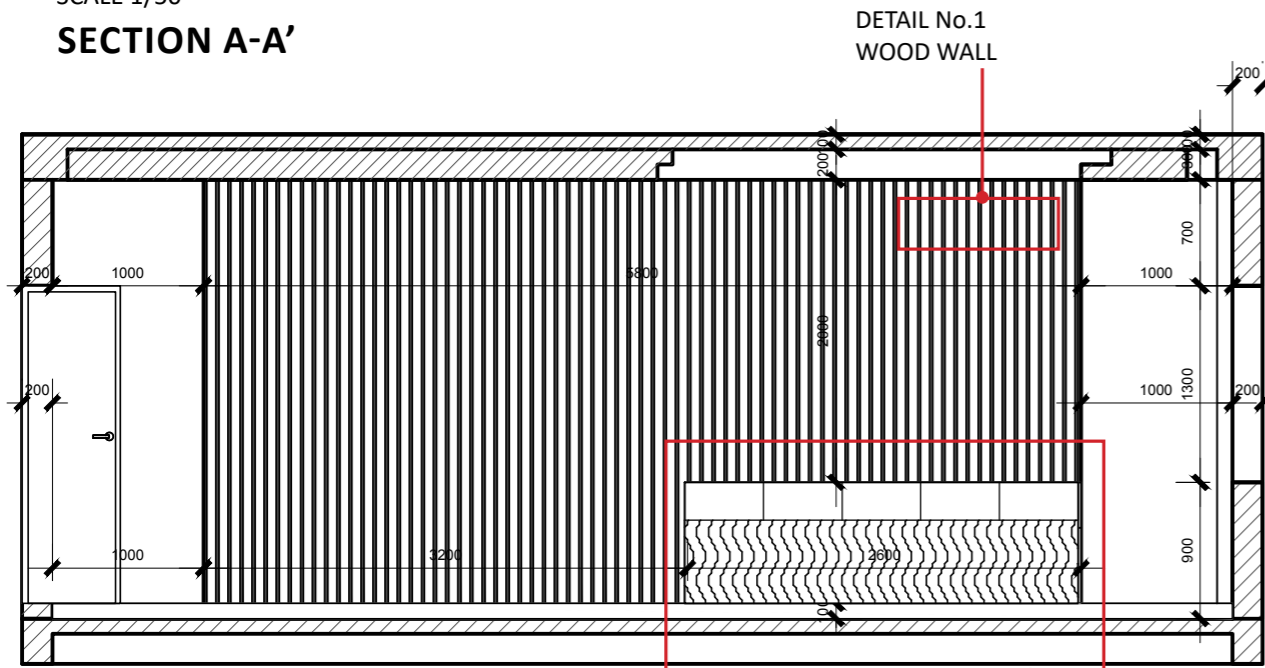
My main works:
 - Blueprints preparation (plans, sections, elevations, details)
 - 3D visualization refinements

KÝ HIỆU HỆ THỐNG Ổ CẮM	
	Ổ CẮM ẨM TƯỜNG TÍNH ĐẾN CHÂN MẶT NA
	Ổ CẮM ẨM TƯỜNG, TÍNH ĐẾN CHÂN MẶT NA
	Ổ CẮM CABLE ADSL CÙNG CAO ĐỘ VỚI MẶT NA Ổ CẮM TẠI CÙNG VỊ TRÍ
	Ổ CẮM 3 CHỖNG NƯỚC NGOÀI TRỜI
	Ổ CẮM CABLE TIVI CÙNG CAO ĐỘ VỚI MẶT NA Ổ CẮM TẠI CÙNG VỊ TRÍ
	Ổ CẮM CABLE ĐIỆN THOẠI CÙNG CAO ĐỘ VỚI MẶT NA Ổ CẮM TẠI CÙNG VỊ TRÍ
	MODEM WIFI CÙNG CAO ĐỘ VỚI MẶT NA Ổ CẮM TẠI CÙNG VỊ TRÍ
	TỦ ĐIỆN PHÂN PHỐI CHÍNH



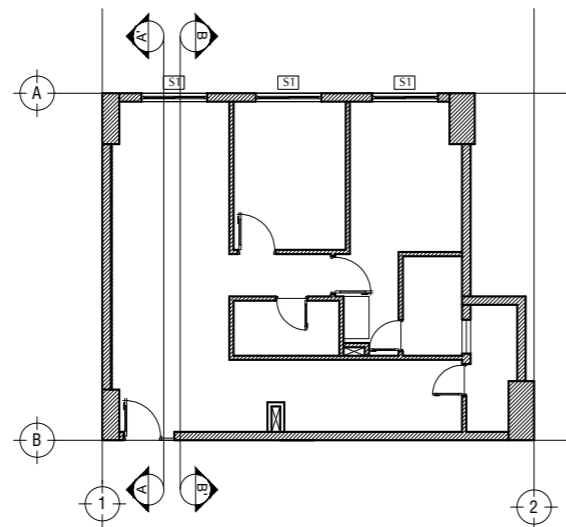
SCALE 1/50

SECTION A-A'



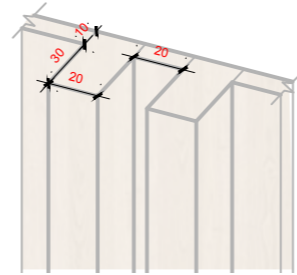
SCALE 1/50

SECTION B-B'



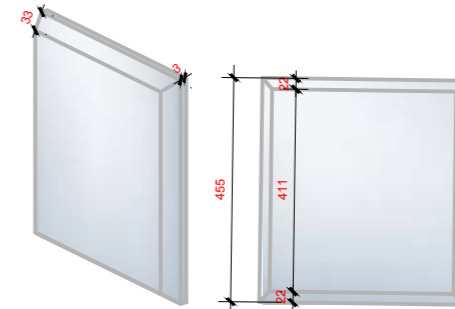
SECTION MAP

**DETAIL NO.1
WOOD WALL**



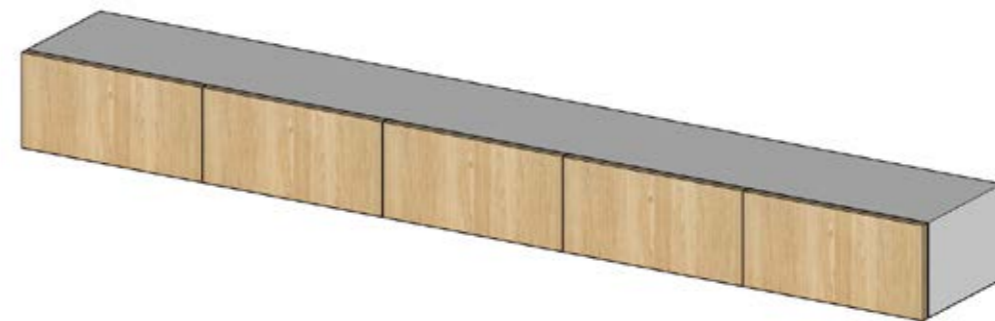
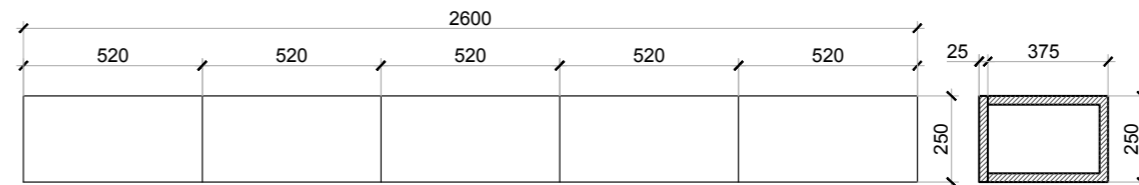
DIMENSION SINGLE WOOD SLATE:
30 X 20 X 2900 (mm)
NUMBER OF WOOD SLATS: 145
TYPE: WATERPROOF WOOD
COLOR: CLIENT PREFERENCE

**DETAIL NO.2
MIRROR & WOOD WALL**



DIMENSION SINGLE PLATE:
455 X 455 X 10 (mm)
NUMBER OF PLATES: 16
+ MIRROR PLATES: 7
+ WOOD PLATES: 9
TYPE MAERTIALS: WOOD & MIRROR

**DETAIL NO.3
TV CABINET**



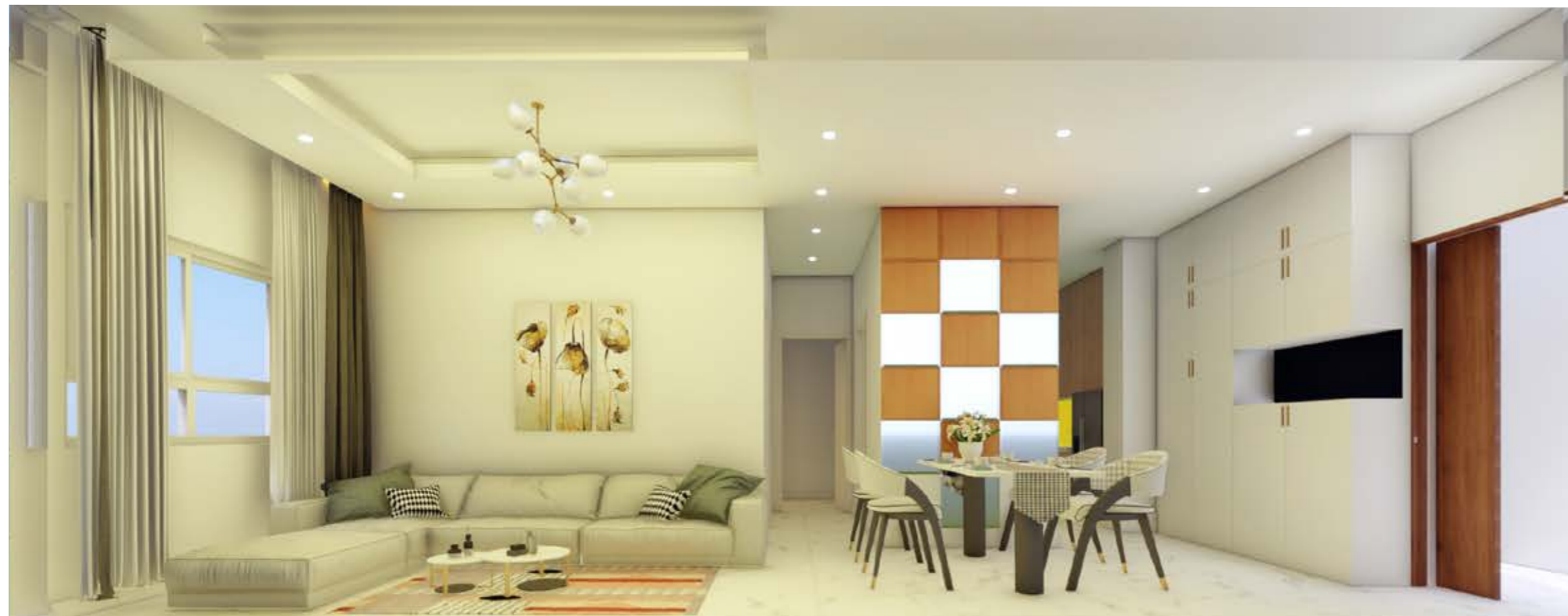
FLOW OF CONTENTS

1. 3D model | Brief | functional space arrangement
2. Furniture arrangement plan
3. Furniture arrangement plan/ dimension
4. Ceiling Plan
5. Ceiling Plan/ dimensions
6. Ceiling Plan/ detail
7. Floor Plan
8. Floor Plan/ dimensions
9. Lighting plan
10. Lighting plan/ dimension
11. Electrical Plan
12. Electrical Plan/ dimensions
13. Power socket Plan
14. Power socket Plan/ dimensions
15. Main Section 1
16. Main Section 2
17. Details on wall design, tv unit
18. Perspective Elevation 1 & 2
19. Space/ Kitchen
20. Space/ WC
21. Space/ Bedroom
22. Perspective visualizations

- 17 Page mark
- Work delivered from design-team/ edited by me
- My main works:
 - Blueprints preparation (plans, sections, elevations, details)
 - 3D visualization refinements



SECTION A-A'



SECTION B-B'

FLOW OF CONTENTS

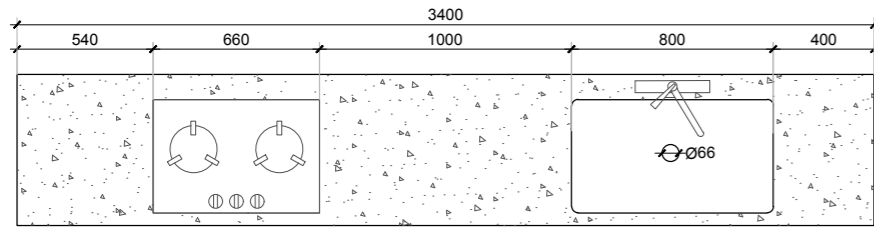
1. 3D model | Brief | functional space arrangement
2. Furniture arrangement plan
3. Furniture arrangement plan/ dimension
4. Ceiling Plan
5. Ceiling Plan/ dimensions
6. Ceiling Plan/ detail
7. Floor Plan
8. Floor Plan/ dimensions
9. Lighting plan
10. Lighting plan/ dimension
11. Electrical Plan
12. Electrical Plan/ dimensions
13. Power socket Plan
14. Power socket Plan/ dimensions
15. Main Section 1
16. Main Section 2
17. Details on wall design, tv unit
18. Perspective Elevation 1 & 2
19. Space/ Kitchen
20. Space/ WC
21. Space/ Bedroom
22. Perspective visualizations

18 Page mark

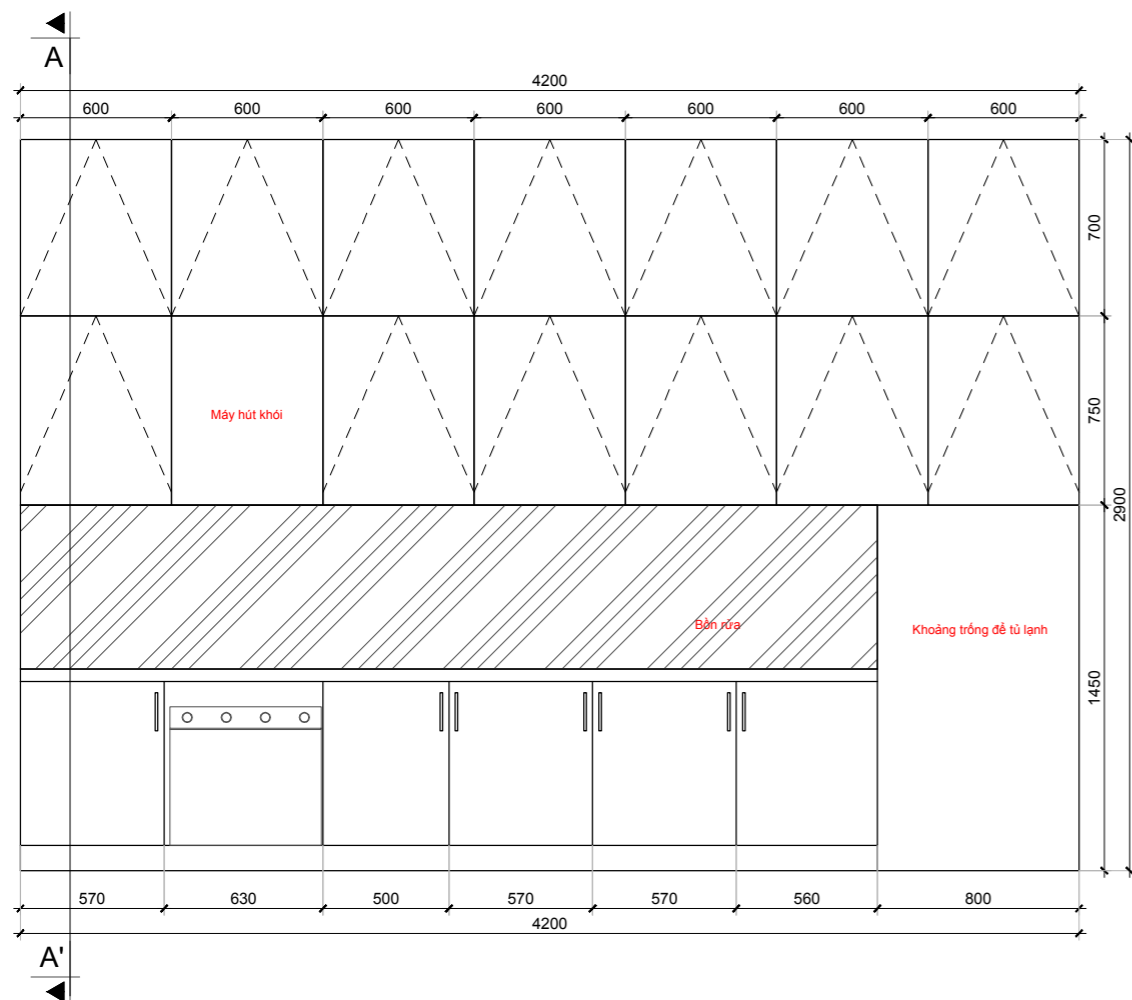
Work delivered from design-team/ edited by me

My main works:
 - Blueprints preparation (plans, sections, elevations, details)
 - 3D visualization refinements

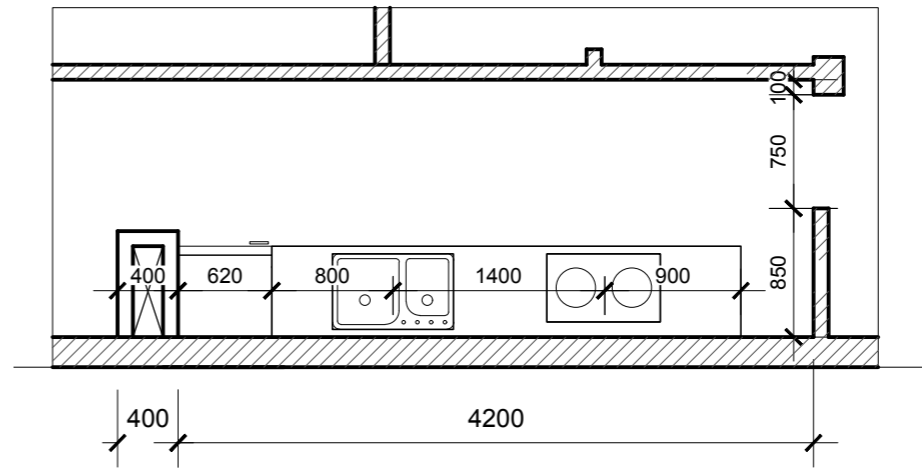
DETAIL NO.4
KITCHEN FURNITURES



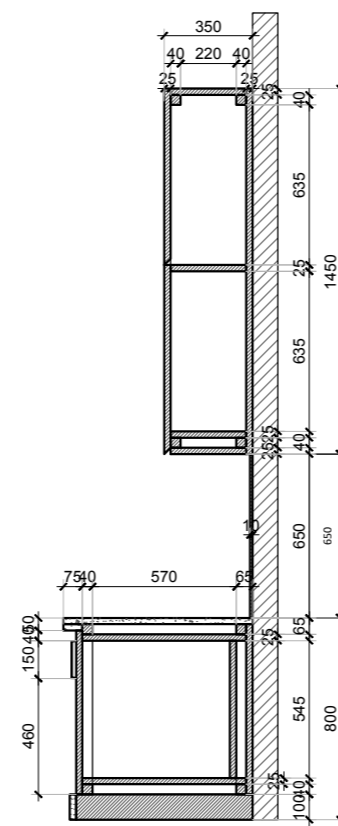
SCALE 1/30
KITCHEN CANINBET NO.1 PLAN



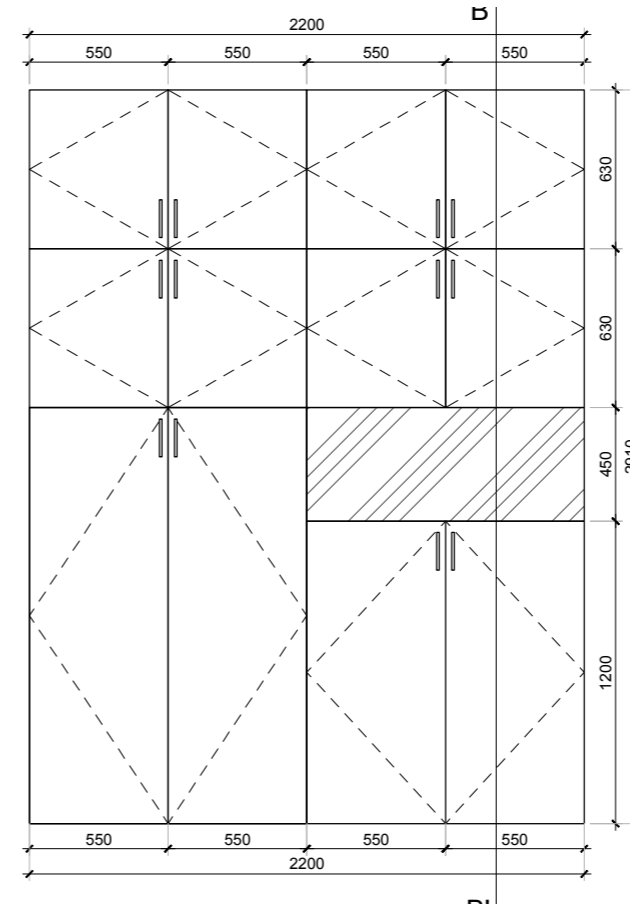
SCALE 1/30
KITCHEN CANINBET NO.1 ELEVATION



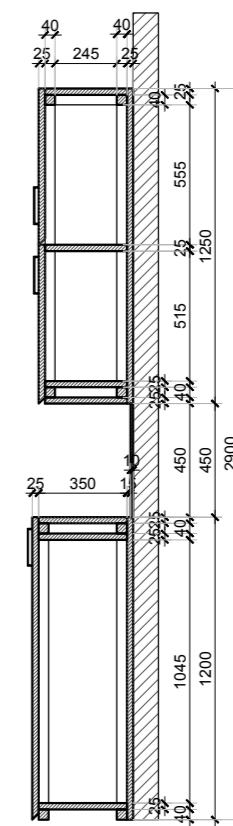
KITCHEN PLAN



SCALE 1/30
SECTION A-A'



SCALE 1/30
KITCHEN CANINBET NO.2 ELEVATION



SCALE 1/30
SECTION B-B'

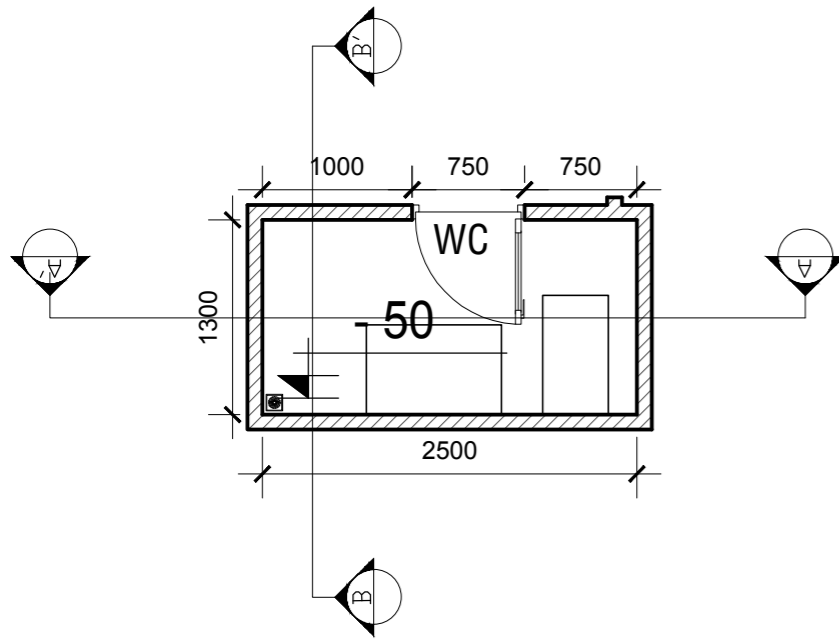
FLOW OF CONTENTS

1. 3D model | Brief | functional space arrangement
2. Furniture arrangement plan
3. Furniture arrangement plan/ dimension
4. Ceiling Plan
5. Ceiling Plan/ dimensions
6. Ceiling Plan/ detail
7. Floor Plan
8. Floor Plan/ dimensions
9. Lighting plan
10. Lighting plan/ dimension
11. Electrical Plan
12. Electrical Plan/ dimensions
13. Power socket Plan
14. Power socket Plan/ dimensions
15. Main Section 1
16. Main Section 2
17. Details on wall design, tv unit
18. Perspective Elevation 1 & 2
19. Space/ Kitchen
20. Space/ WC
21. Space/ Bedroom
22. Perspective visualizations

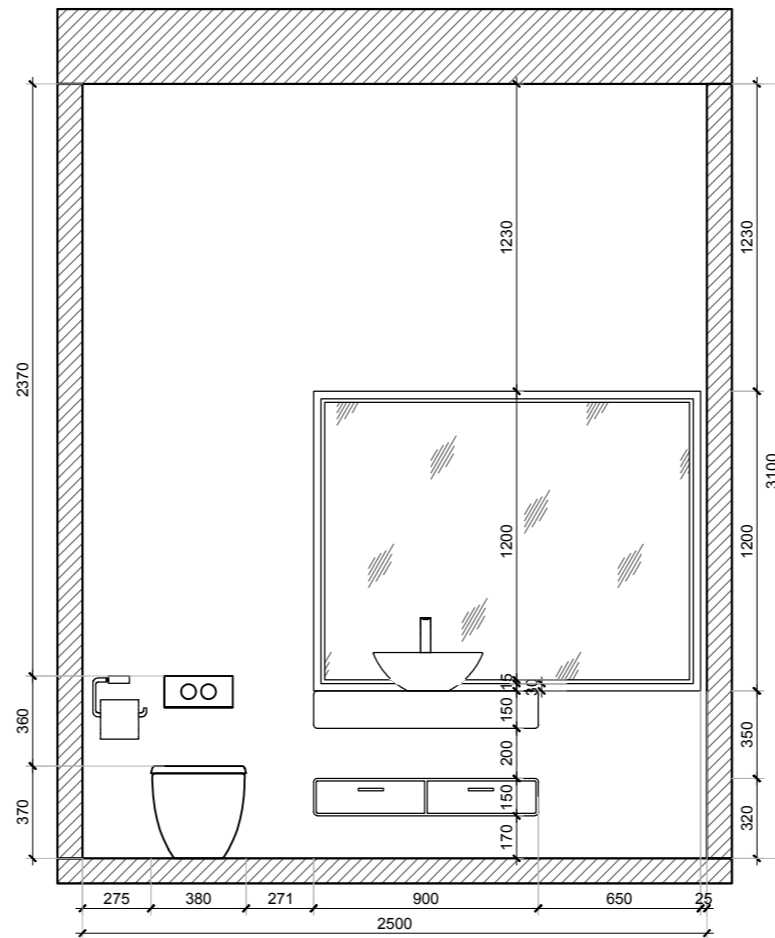
- Page mark
- Work delivered from design-team/ edited by me
- My main works:
- Blueprints preparation (plans, sections, elevations, details)
 - 3D visualization refinements

DETAIL NO.4

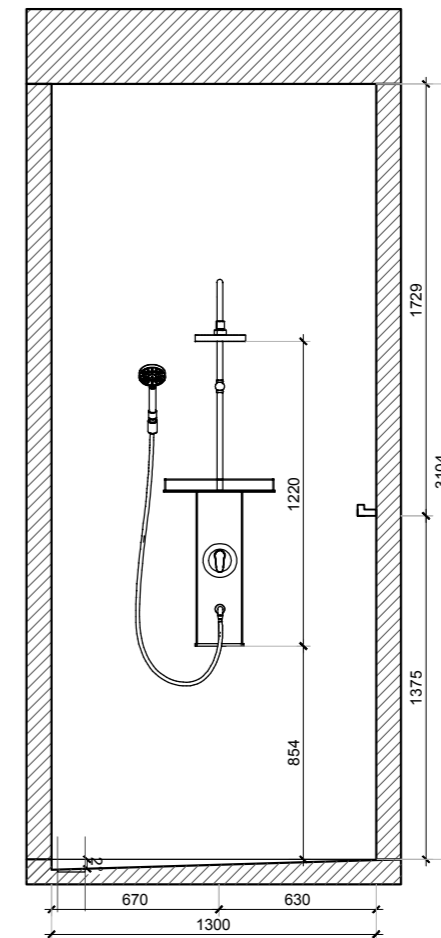
WC FURNITURES



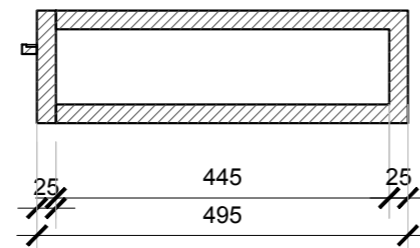
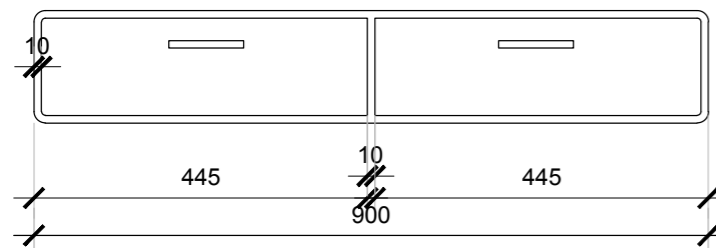
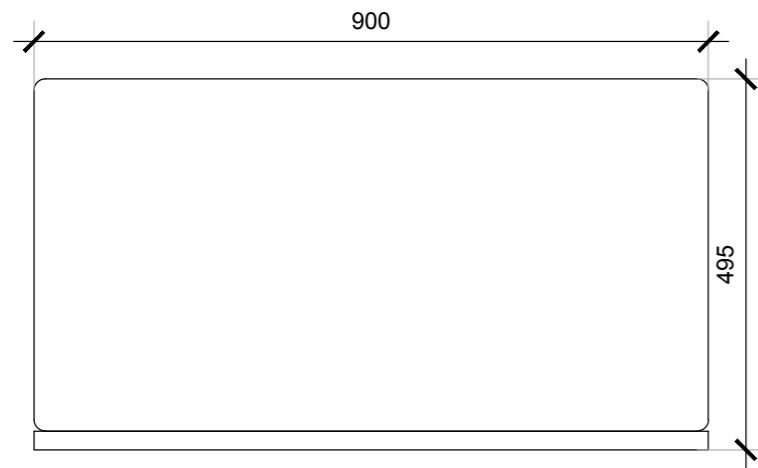
WC PLAN



SCALE 1/30
SECTION A-A'



SCALE 1/30
SECTION B-B'



SCALE 1/10
WC CABINET



FLOW OF CONTENTS

1. 3D model | Brief | functional space arrangement
2. Furniture arrangement plan
3. Furniture arrangement plan/ dimension
4. Ceiling Plan
5. Ceiling Plan/ dimensions
6. Ceiling Plan/ detail
7. Floor Plan
8. Floor Plan/ dimensions
9. Lighting plan
10. Lighting plan/ dimension
11. Electrical Plan
12. Electrical Plan/ dimensions
13. Power socket Plan
14. Power socket Plan/ dimensions
15. Main Section 1
16. Main Section 2
17. Details on wall design, tv unit
18. Perspective Elevation 1 & 2
19. Space/ Kitchen
20. Space/ WC
21. Space/ Bedroom
22. Perspective visualizations

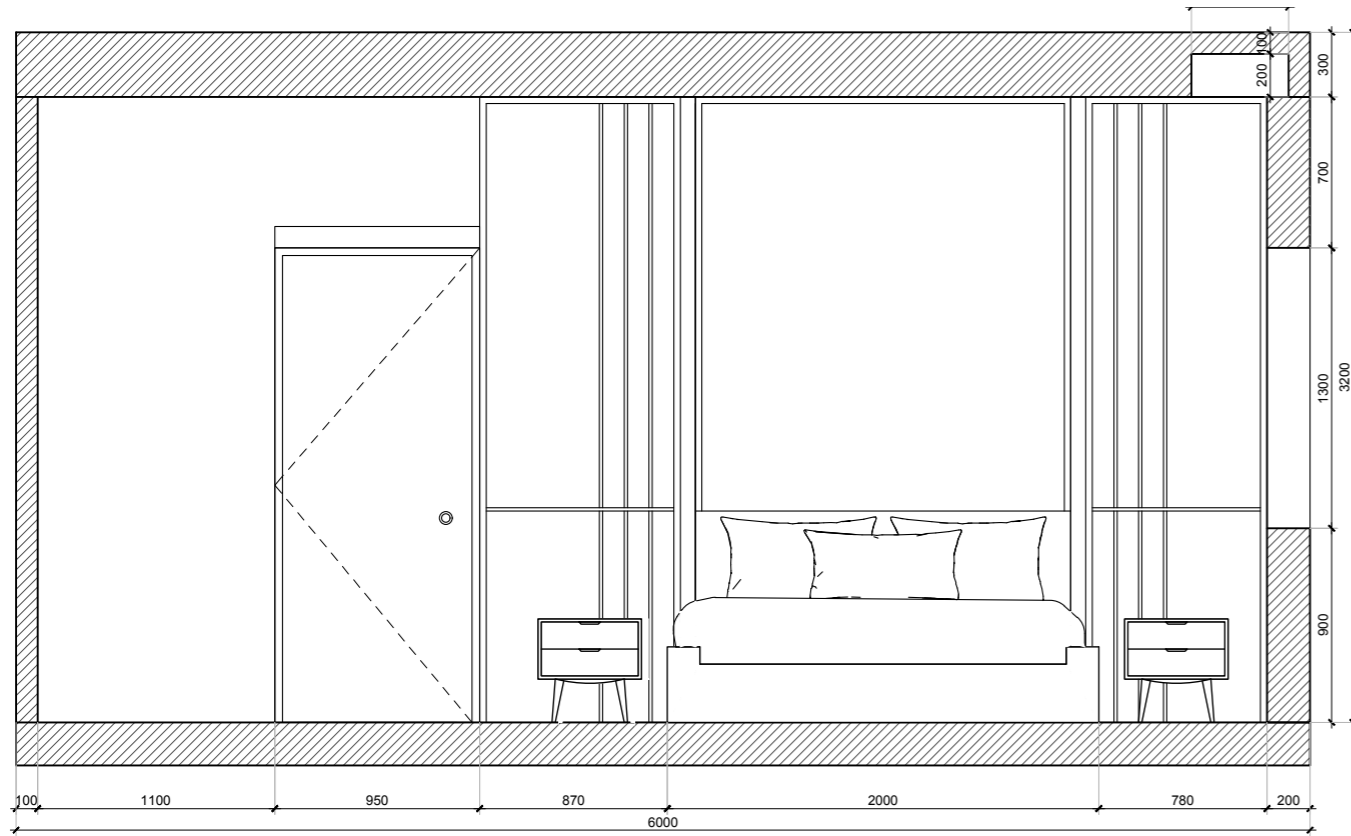
○ Page mark

■ Work delivered from design-team/ edited by me

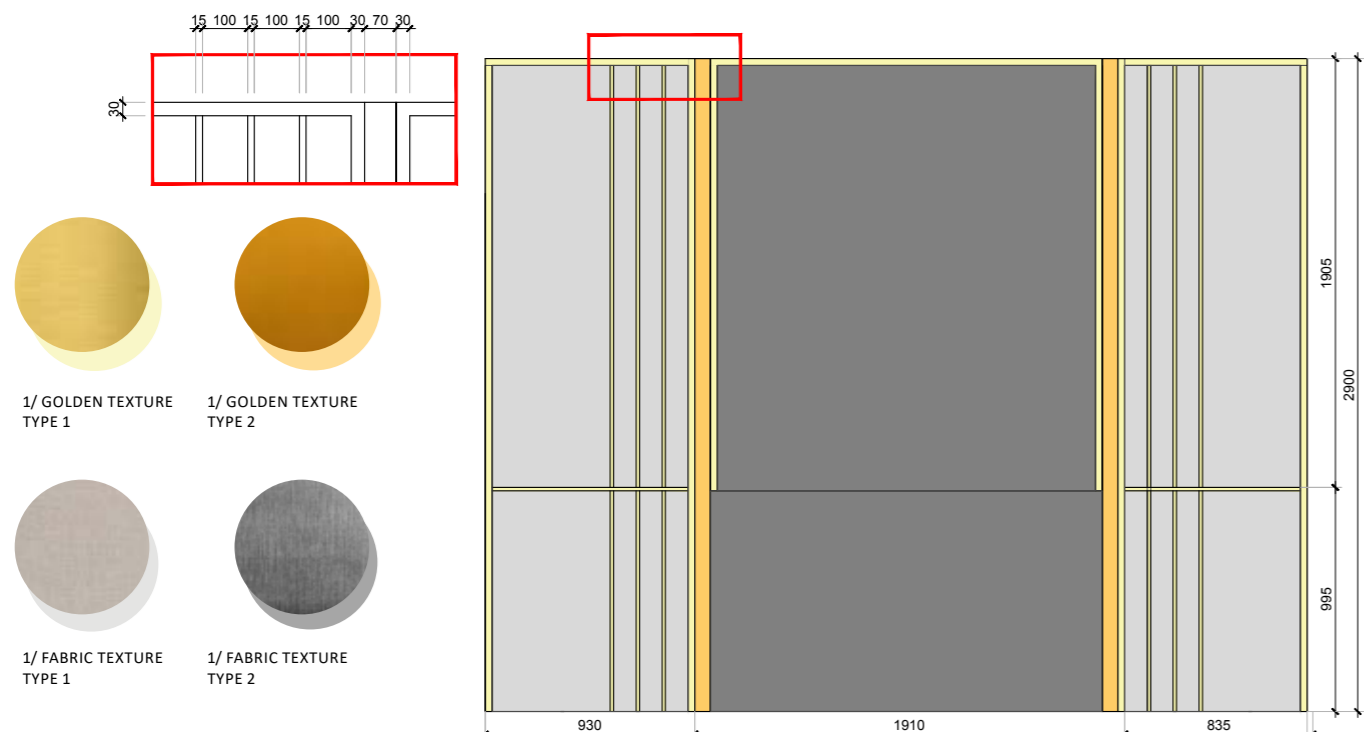
■ My main works:

- Blueprints preparation (plans, sections, elevations, details)
- 3D visualization refinements

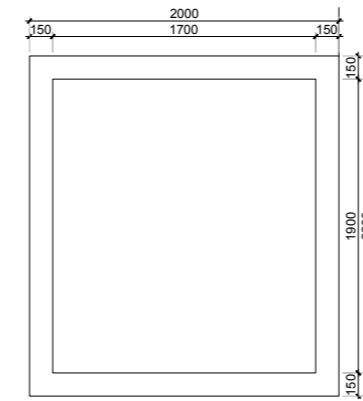
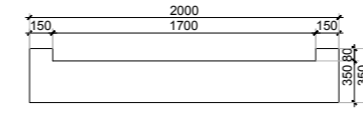
DETAIL NO.4
BEDROOM



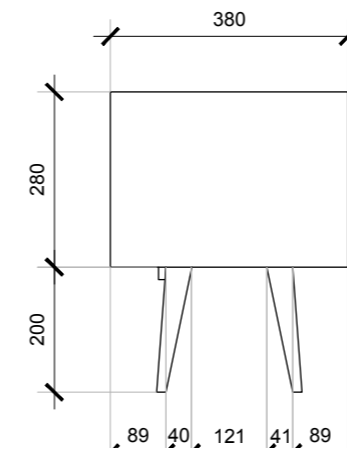
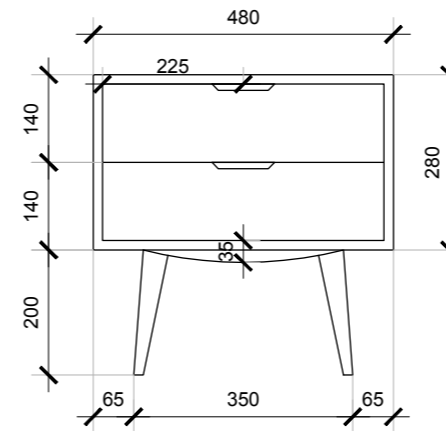
ELEVATION



WALL DESIGN



FURNITURE 1
BED



FURNITURE 2
BEDSIDE



FLOW OF CONTENTS

1. 3D model | Brief | functional space arrangement
2. Furniture arrangement plan
3. Furniture arrangement plan/ dimension
4. Ceiling Plan
5. Ceiling Plan/ dimensions
6. Ceiling Plan/ detail
7. Floor Plan
8. Floor Plan/ dimensions
9. Lighting plan
10. Lighting plan/ dimension
11. Electrical Plan
12. Electrical Plan/ dimensions
13. Power socket Plan
14. Power socket Plan/ dimensions
15. Main Section 1
16. Main Section 2
17. Details on wall design, tv unit
18. Perspective Elevation 1 & 2
19. Space/ Kitchen
20. Space/ WC
21. Space/ Bedroom
22. Perspective visualizations

○ Page mark

■ Work delivered from design-team/ edited by me

■ My main works:
- Blueprints preparation (plans, sections, elevations, details)
- 3D visualization refinements



PERSPECTIVE
DINING SPACE



PERSPECTIVE
DINING SPACE



PERSPECTIVE
LIVING SPACE



PERSPECTIVE
LIVING SPACE

FLOW OF CONTENTS

1. 3D model | Brief | functional space arrangement
2. Furniture arrangement plan
3. Furniture arrangement plan/ dimension
4. Ceiling Plan
5. Ceiling Plan/ dimensions
6. Ceiling Plan/ detail
7. Floor Plan
8. Floor Plan/ dimensions
9. Lighting plan
10. Lighting plan/ dimension
11. Electrical Plan
12. Electrical Plan/ dimensions
13. Power socket Plan
14. Power socket Plan/ dimensions
15. Main Section 1
16. Main Section 2
17. Details on wall design, tv unit
18. Perspective Elevation 1 & 2
19. Space/ Kitchen
20. Space/ WC
21. Space/ Bedroom

22. Perspective visualizations

Page mark

Work delivered from design-team/ edited by me

My main works:

- Blueprints preparation (plans, sections, elevations, details)
- 3D visualization refinements



PERSPECTIVE
KITCHEN



PERSPECTIVE
BATHROOM



PERSPECTIVE
BEDROOM



FLOW OF CONTENTS

1. 3D model | Brief | functional space arrangement
2. Furniture arrangement plan
3. Furniture arrangement plan/ dimension
4. Ceiling Plan
5. Ceiling Plan/ dimensions
6. Ceiling Plan/ detail
7. Floor Plan
8. Floor Plan/ dimensions
9. Lighting plan
10. Lighting plan/ dimension
11. Electrical Plan
12. Electrical Plan/ dimensions
13. Power socket Plan
14. Power socket Plan/ dimensions
15. Main Section 1
16. Main Section 2
17. Details on wall design, tv unit
18. Perspective Elevation 1 & 2
19. Space/ Kitchen
20. Space/ WC
21. Space/ Bedroom

22. Perspective visualizations

○ Page mark

■ Work delivered from design-team/ edited by me

■ My main works:
 - Blueprints preparation (plans, sections, elevations, details)
 - 3D visualization refinements